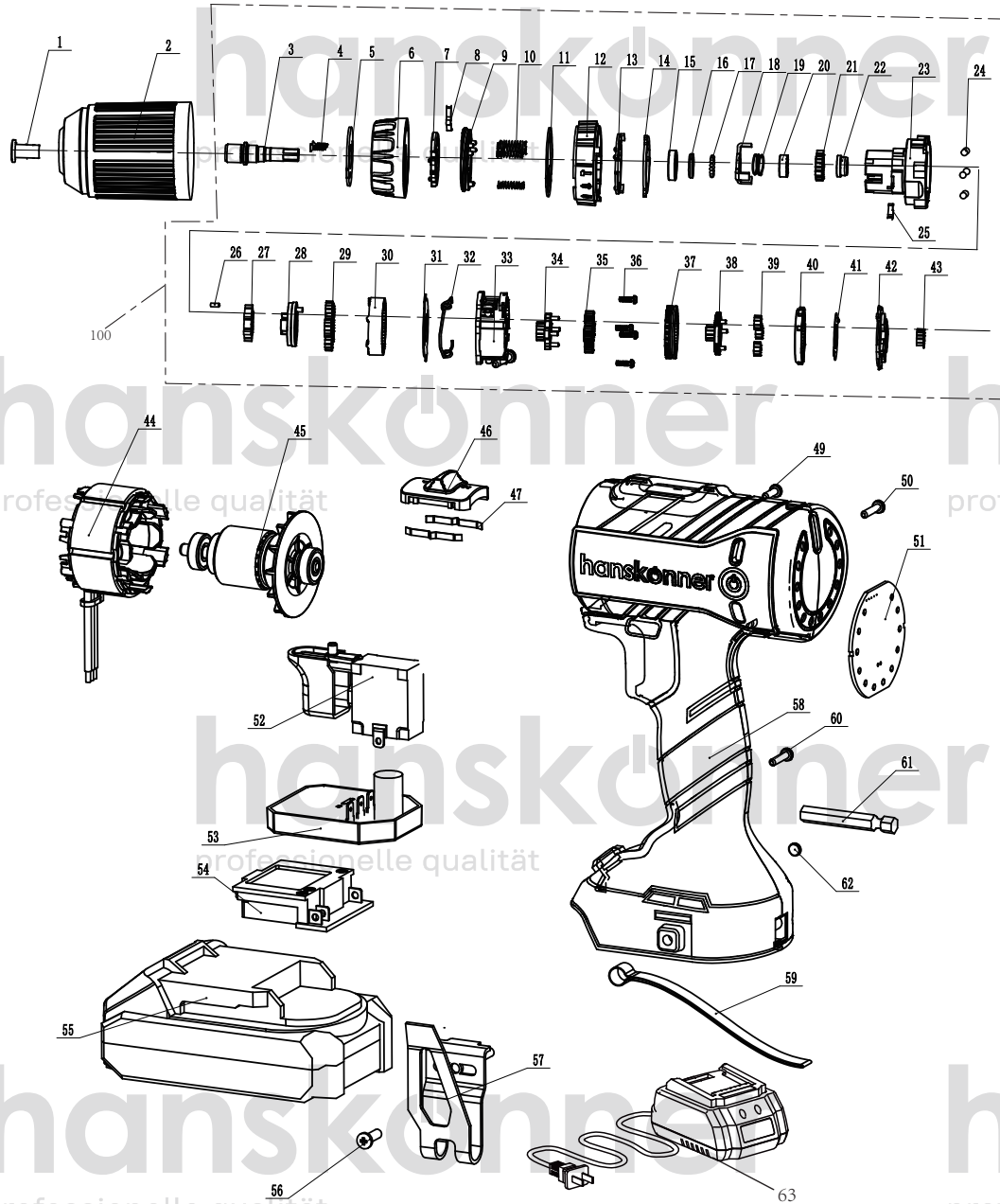


hanskonner

professionelle qualität

HCD1865I



NO.	DESCRIPTION	NO.	DESCRIPTION
1	LEFT SCREW	33	REAR GEAR BOX
2	CHUCK	34	THE SECOND PLANET CARRIER
3	SPINDLE	35	THE SECOND PLANET GEAR
4	SCREW	36	SCREW
5	PRESS BOARD	37	MOVING GEAR RING
6	TORQUE RING	38	THE FIRST PLANET CARRIER
7	TORQUE ADJUSTMENT BOARD	39	THE FIRST PLANET GEAR
8	SHRAPNEL	40	THE FIRST GEAR RING
9	BIG NUT	41	WASHER
10	SPRING	42	MOTOR PRESS BOARD
11	BIG WASHER	43	MOTOR GEAR
12	FUNCTION ADJUSTMENT RING	44	STATOR
13	SPRING WASHER	45	ROTOR
14	TORQUE ADJUSTMENT WASHER	46	TWO SPEED CHANGE BOARD
15	BEARING	47	SPRING
16	BALL WASHER	49	SCREW
17	BALL	50	SCREW
18	FUNCTION ADJUSTMENT BRACKET	51	DISPLAY BOARD
19	IMPACT SPRING	52	SWITCH
20	UPPER IMPACT GEAR	53	BRUSHLESS MOTOR CONTROLLER
21	UPPER IMPACT GEAR	54	CONNECTION BOARD
22	OIL BUSH	55	BATTERY PACK
23	FRONT GEAR BOX	56	SCREW
24	BALL WASHER	57	BUCKLE
25	TORQUE SPRING	58	HOUSING
26	PIN	59	SLING
27	SPINDLE LOCK RING	60	SCREW
28	THE THIRD PLANET CARRIER	61	SCREW BIT
29	THE THIRD PLANET GEAR	62	MAGNET
30	INNER GEAR RING	63	CHARGER
31	BIG WASHER	100	GEAR BOX ASSEMBLY
32	SHIFT WIRE		

HCD1865I- EX-RUS220913